

**PLEASE CHECK WWW.MOLEX.COM FOR LATEST PART INFORMATION**

**Part Number:** **0508607112**  
**Status:** **Active**  
**Description:** Ring Tongue Terminal for 2 AWG, Closed Uninsulated Brazed Barrel, Stud Size 5/8" (M16), Oxygen-Free Copper, Length 52.00mm (2.047")

**Documents:**

[Drawing \(PDF\)](#) [Product Specification PS-50860-001 \(PDF\)](#)  
[Product Specification PS-50555-001 \(PDF\)](#) [RoHS Certificate of Compliance \(PDF\)](#)

**General**

Product Family	Ring and Spade Terminals
Series	50860
Crimp Quality Equipment	Yes
Mil-Spec	N/A
Product Name	R (Ring)
Type	Ring

**Physical**

Barrel Type	Closed - Brazed
Insulation	None
Material - Plating Mating	Tin
Packaging Type	Bag
Plating min: Mating (µin)	40
Plating min: Mating (µm)	1
Plating min: Termination (µin)	40
Plating min: Termination (µm)	1
Stud Size	5/8" (M16)
Termination Interface: Style	Crimp or Compression
Wire Size AWG	2
Wire Size mm <sup>2</sup>	26.66 - 42.42

**Material Info**

**Reference - Drawing Numbers**

Product Specification	PS-50555-001, PS-50860-001
Sales Drawing	SD-50860-001

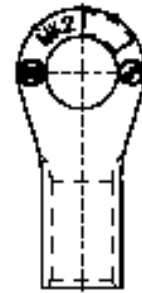


image - Reference only

Series

**EU RoHS**  
**ELV and RoHS**  
**Compliant**  
**REACH SVHC**  
 Not Reviewed  
**Halogen-Free**  
**Status**  
**Not Reviewed**

**China RoHS**



**Need more information on product environmental compliance?**

Email [productcompliance@molex.com](mailto:productcompliance@molex.com)  
 For a multiple part number RoHS Certificate of Compliance, [click here](#)

Please visit the [Contact Us](#) section for any non-product compliance questions.

**Search Parts in this Series**  
 50860Series

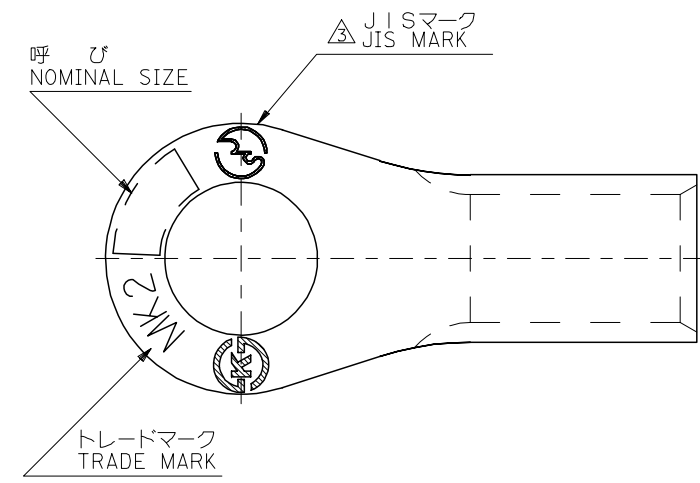
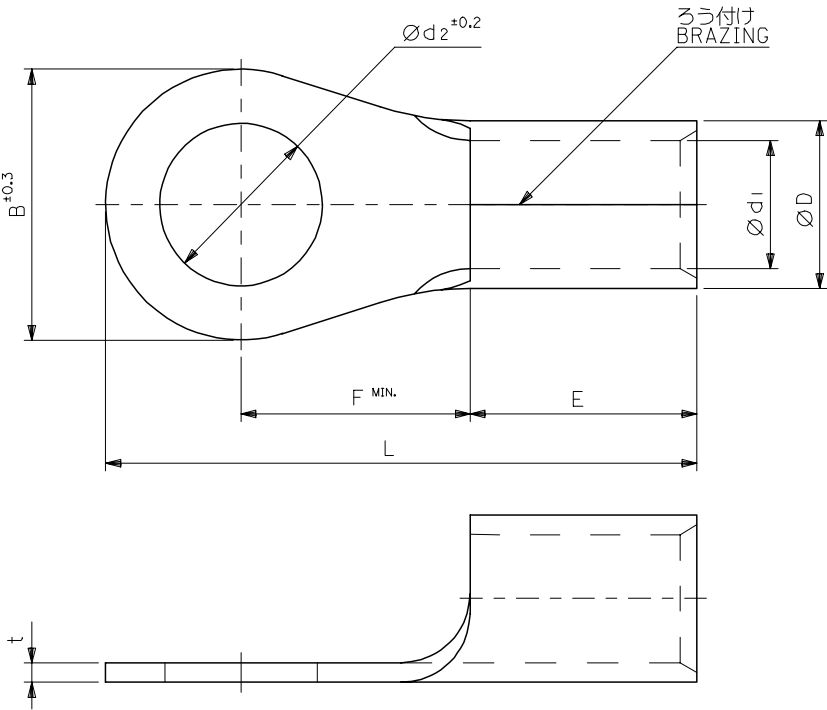
**Application Tooling | FAQ**

*Tooling specifications and manuals are found by selecting the products below. Crimp Height Specifications are then contained in the Application Tooling Specification document.*

**Japan**

Description	Product #
Battery Type Hand Crimper For JIS Terminal	<a href="#">0573439004</a>

**PLEASE CHECK WWW.MOLEX.COM FOR LATEST PART INFORMATION**



注記  
NOTES

1. 材質 MATERIAL

端子：無酸素銅、スズメッキ  
 TERMINAL : OXYGEN FREE COPPER、TIN PLATING  
 ろう付け部：りん銅ろう、または 銀ろう  
 PART OF BRAZING : COPPER PHOSPHORUS BRAZING FILLER METALS  
 OR SILVER SOLDER

2. 適用電線 APPLICABLE WIRE RANGE

単線 SOLID WIRE	撚線 STRANDED WIRE
5.81-7.34 mm	26.66-42.42 mm <sup>2</sup>

△ JIS認定品にのみ刻印。  
 DIE STAMPED MARK IS ALLOWED ONLY FOR JIS FILED PRODUCTS.

	1.8 <sup>+0.15</sup> <sub>-0.1</sub>	21.2	52 <sub>±0.5</sub>	23.5	13 <sub>±0.4</sub>	9.4 <sub>±0.3</sub>	13.2 <sup>+0.5</sup> <sub>-0.3</sub>	30	38-20	50860-7212
JIS	1.8 MIN	15	53 MAX	19	12.5 MIN	9.4 <sub>±0.2</sub>	13.3 <sup>+0.5</sup> <sub>-0.2</sub>		38-16	50860-7112
									38-14	50860-7012
△	t	d2	L	F	E	d1	D	B	呼び NOMINAL SIZE	ENG. NO.

RELEASED EC NO: J2007-2005 DRWNG: ITO 2007/03/27 CHKD: KKASAHARA 2007/05/18 APPR: NUKITA 2007/05/21	GENERAL TOLERANCES (UNLESS SPECIFIED)		DIMENSION STYLE MM ONLY		SCALE ---	DESIGN UNITS METRIC	THIRD ANGLE PROJECTION		
	10 UNDER	± ---	DRAWN BY KITO		DATE 2007/01/15		TITLE RING TERMINAL		
	10 OVER 30 UNDER	± ---	CHECKED BY KKASAHARA		DATE 2007/01/15		MOLEX INCORPORATED		
	30 OVER	± ---	APPROVED BY NUKITA		DATE 2007/01/15				
0	ANGULAR	± --- °	MATERIAL NO.		DOCUMENT NO.		SHEET NO.		
	DRAFT WHERE APPLICABLE MUST REMAIN WITHIN DIMENSIONS		SEE CHART		SD-50860-001		1 OF 1		
	THIS DRAWING CONTAINS INFORMATION THAT IS PROPRIETARY TO MOLEX INCORPORATED AND SHOULD NOT BE USED WITHOUT WRITTEN PERMISSION								